

## ELEMENTS - VAP

AETHER VAP IP65 LED BATTEN LUMINAIRE

### SPECIFICATION

AETHER REFERENCE: VAP

DESCRIPTION AND HOUSING	IP65 anti-corrosive LED batten with a robust injection moulded polycarbonate body. Supplied in 4ft and 5ft versions. Luminaire fitted with an opal light pipe for homogeneous output and a clear vapour proof, high impact diffuser. Quick release flush mounted fixing clips. IK10.	
DIMENSIONS	W: 104mm D: 80mm L: 1200mm/1500mm	
LIGHT SOURCE	16 W - 2325 Lumen LED (1200mm)	REF: VAP/16/4000K
	30 W - 4400 Lumen LED (1200mm)	REF: VAP/30/4000K
	19 W - 2900 Lumen LED (1500mm)	REF: VAP/19/4000K
	36 W - 5500 Lumen LED (1500mm)	REF: VAP/36/4000K
<i>Available in - /3000K &amp; /4000K Please note: Other outputs, options and accessories available.</i>		
MOUNTING	Surface mounted. Corner mounting kit /CMK 1.5m suspension kit /SUS	
CONTROL GEAR	Tridonic driver. Various dimming options available. /DIM. Available with 3 hour emergency /EM	
FINISH	Grey. Stainless steel clips available /SSC	

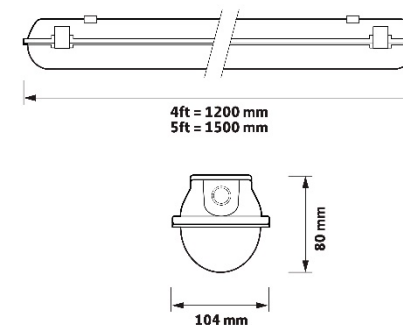
**ELEMENTS**   
BY AETHER LIGHTING

**M:** 07827 233720 | **T:** 020 8254 0094 | **E:** rob.cumper@aetherlighting.com  
**A:** 67 SOUTH STREET, EPSOM, SURREY KT18 7PY

[www.aetherlighting.com](http://www.aetherlighting.com)

# Data Sheet

## VAP IP65 LED BATTEN LUMINAIRE



This document and the information contained herein, may not be copied, used or disclosed in whole or in part, without the written permission of Aether Lighting Ltd. ©2020.