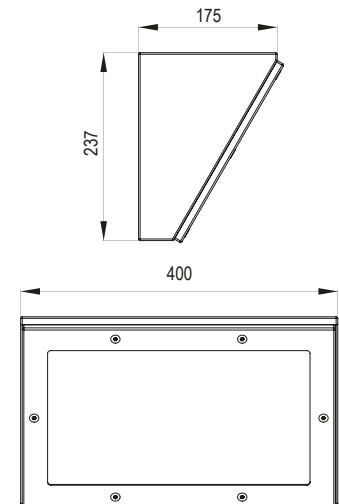


TABOR COMPACT

Strong & durable LED angled luminaire

PRODUCT CODE	LUMENS	LOAD
TAC60/4000	4000	32W
TAC60/6000	6000	48W



Designed for installations where severe or prolonged attack may occur. 400mm compact 60/30 degree angled body manufactured from zinc coated steel. 3mm opal polycarbonate flat panel secured by anti-tamper fixings.

CCT:	4000K
Finish:	Painted Textured Black
IP:	65
IK:	18

Other colours and technical modifications available.