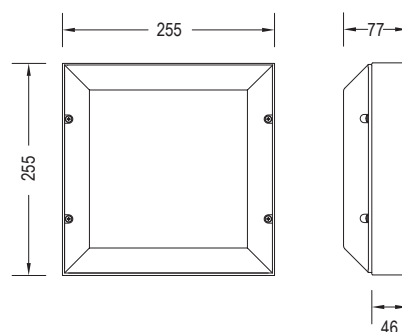


DATASHEET

SQ

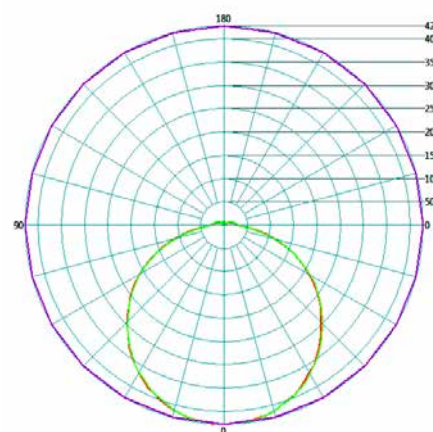
Square LED bulkhead

PRODUCT CODE	LUMENS	LOAD
SQ/1420	1420	11.5W
SQ/1950	1950	17W



Square bulkhead developed with LED at the forefront of its design, combining high performance, strength and durability. Body in zinc coated steel. 3mm opal polycarbonate diffuser secured by anti-tamper fixings.

CCT:	3000K
Finish:	Painted Textured Black
IP:	65
IK:	14



Other colours and technical modifications available.
Product codes in bold are more readily available.

ENDURANCE 
LIGHTING THAT LASTS

For more information contact:

T: 0208 254 0094
www.aetherlighting.com