

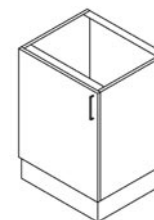


STANDARD UNIT RANGE

C/W SPECIFICATION CODES

Full Height Base Unit

A full height Base unit is an under worktop cabinet mounted with a door only. It is available in 500mm deep as well as with or without a cam lock (lockable).



SINGLE DOOR

	300mm WIDE	400mm WIDE	500mm WIDE	600mm WIDE
L/H DOOR (NOT LOCKABLE)	BF3XAL	BF4XAL	BF5XAL	BF6XAL
R/H DOOR (NOT LOCKABLE)	BF3XAR	BF4XAR	BF5XAR	BF6XAR
L/H LOCKABLE	BF3XALKM145	BF4XALKM145	BF5XALKM145	BF6XALKM145
R/H LOCKABLE	BF3XARKM145	BF4XARKM145	BF5XARKM145	BF6XARKM145

DOUBLE DOOR

	800mm WIDE	1000mm WIDE	1200mm WIDE
NOT LOCKABLE	BF8XA	BF10A	BF12A
LOCKABLE	BF8XAKM145	BF10AKM145	BF12AKM145

Drawer Line Base Unit

A drawer line base unit is an under worktop cabinet mounted with a drawer at the top and then a $\frac{3}{4}$ door. It is available in 500mm deep as well as with or without a cam lock (lockable)*.



SINGLE DOOR

	300mm WIDE	400mm WIDE	500mm WIDE	600mm WIDE
L/H DOOR (NOT LOCKABLE)	BF3XBL	BF4XBL	BF5XBL	BF6XBL
R/H DOOR (NOT LOCKABLE)	BF3XBR	BF4XBR	BF5XBR	BF6XBR
L/H LOCKABLE	BF3XBLKM145	BF4XBLKM145	BF5XBLKM145	BF6XBLKM145
R/H LOCKABLE	BF3XBRKM145	BF4XBRKM145	BF5XBRKM145	BF6XBRKM145

DOUBLE DOOR

	800mm WIDE	1000mm WIDE	1200mm WIDE
NOT LOCKABLE	BF8XB	BF10B	BF12B
LOCKABLE	BF8XBKM145	BF10BKM145	BF12BKM145

*As standard the lockable option has the door lockable but the drawer not lockable.

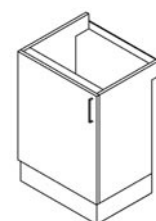
Sink Base Units

A sink base cabinet is an under worktop cabinet designed to be directly below a sink. It has a cut out base & sides to allow service pipe access as well as a reduced height back and no shelf supplied. Available in 600mm deep only.

Sink Bases are available in either FULL HEIGHT or DUMMY DRAWER LINE, both options of which can be supplied with or without a cam lock (lockable).

Full Height Sink Base Unit

Mounted with a door only.



SINGLE DOOR

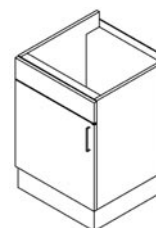
	400mm WIDE	500mm WIDE	600mm WIDE
L/H DOOR	SB4XAL	SB5XAL	SB6XAL
R/H DOOR	SB4XAR	SB5XAR	SB6XAR
L/H (LOCKABLE)	SB4XALKM145	SB5XALKM145	SB6XALKM145
R/H (LOCKABLE)	SB4XARKM145	SB5XARKM145	SB6XARKM145

DOUBLE DOOR

	800mm WIDE	1000mm WIDE	1200mm WIDE
NOT LOCKABLE	SB8XA	SB10A	SB12A
LOCKABLE	SB8XAKM145	SB10AKM145	SB12AKM145

Dummy Drawer Line Sink Base Unit

Mounted with a dummy drawer panel to top and a 3/4 door.



SINGLE DOOR

	400mm WIDE	500mm WIDE	600mm WIDE
L/H LOCKABLE	SB4XDL	SB5XDL	SB6XDL
R/H LOCKABLE	SB4XDR	SB5XDR	SB6XDR
L/H DOOR (LOCKABLE)	SB4XDLKM145	SB5XDLKM145	SB6XDLKM145
R/H DOOR (LOCKABLE)	SB4XDRKM145	SB5XDRKM145	SB6XDRKM145

DOUBLE DOOR

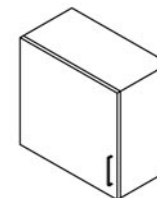
	800mm WIDE	1000mm WIDE	1200mm WIDE
NOT LOCKABLE	SB8XD	SB10D	SB12D
LOCKABLE	SB8XDKM145	SB10DKM145	SB12DKM145

Wall Units

A range of cabinets for wall mounting. Available with or without a cam lock (lockable). Offered in 2 different heights: Low & Medium Versions.

Low Wall

575mm HIGH - 300mm DEEP



SINGLE DOOR

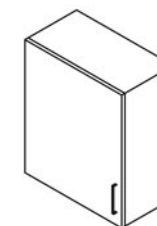
	300mm WIDE	400mm WIDE	500mm WIDE	600mm WIDE
L/H DOOR (NOT LOCKABLE)	NWU3XLL	NWU4XLL	NWU5XLL	NWU6XLL
R/H DOOR (NOT LOCKABLE)	NWU3XLR	NWU4XLR	NWU5XLR	NWU6XLR
L/H LOCKABLE	NWU3XLLKM145	NWU4XLLKM145	NWU5XLLKM145	NWU6XLLKM145
R/H LOCKABLE	NWU3XLRKM145	NWU4XLRKM145	NWU5XLRKM145	NWU6XLRKM145

DOUBLE DOOR

	800mm WIDE	1000mm WIDE	1200mm WIDE
NOT LOCKABLE	NWU8XL	NWU10L	NWU12L
LOCKABLE	NWU8XLKM145	NWU10LKM145	NWU12LKM145

Medium Wall

715mm HIGH - 300mm DEEP



SINGLE DOOR

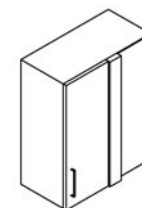
	300mm WIDE	400mm WIDE	500mm WIDE	600mm WIDE
L/H DOOR (NOT LOCKABLE)	NWU3XML	NWU4XML	NWU5XML	NWU6XML
R/H DOOR (NOT LOCKABLE)	NWU3XMR	NWU4XMR	NWU5XMR	NWU6XMR
L/H LOCKABLE	NWU3XMLKM145	NWU4XMLKM145	NWU5XMLKM145	NWU6XMLKM145
R/H LOCKABLE	NWU3XMRKM145	NWU4XMRKM145	NWU5XMRKM145	NWU6XMRKM145

DOUBLE DOOR

	800mm WIDE	1000mm WIDE	1200mm WIDE
NOT LOCKABLE	NWU8XM	NWU10M	NWU12M
LOCKABLE	NWU8XMKM145	NWU10MKM145	NWU12MKM145

Wall Corner Unit

A wall corner cabinet is designed to utilise the space in an internal corner. The cabinet is always 600mm wide, mounted with a 300mm door + a blanking panel. Available in both LOW & MEDIUM versions as well as with or without a cam lock (lockable).



LOW WALL

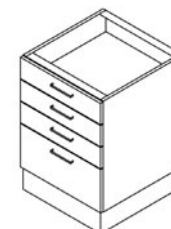
	300 DOOR
L/H DOOR (NOT LOCKABLE)	NWC6XLL
R/H DOOR (NOT LOCKABLE)	NWC6XLR
L/H LOCKABLE	NWC6XLLKM145
R/H LOCKABLE	NWC6XLRKM145

MEDIUM WALL

	300 DOOR
L/H DOOR (NOT LOCKABLE)	NWC6XML
R/H DOOR (NOT LOCKABLE)	NWC6XMR
L/H LOCKABLE	NWC6XMLKM145
R/H LOCKABLE	NWC6XMRKM145

Drawer Pack

An under worktop cabinet fitted with a stack of drawers. Available with either 3 or 4 drawers. Available 500mm deep.



3 DRAWER

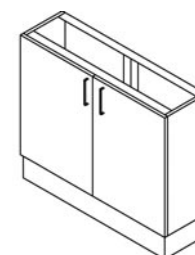
	300	400	500	600
500 DEEP	DF3X3	DF4X3	DF5X3	DF6X3

4 DRAWER

	300	400	500	600
500 DEEP	DF3X4	DF4X4	DF5X4	DF6X4

Reduced Depth Base Unit

An under worktop cabinet with a Reduced depth of only 300mm to help avoid pipes or other such obstructions that may foul against a standard 500 deep cabinet. Available as 500mm or a 1000mm wide FULL HEIGHT version only. Also with or without a cam lock (lockable).



		500mm WIDE	1000mm WIDE
300 DEEP	NOT LOCKABLE	-	B310A
	LOCKABLE	-	B310AKM145
	L/H DOOR (NOT LOCKABLE)	B35AL	-
	R/H DOOR (NOT LOCKABLE)	B35AR	-
	L/H LOCKABLE	B35ALKM145	-
	R/H LOCKABLE	B35ARKKM145	-

End Panels

End panels are décor panels for attaching to the exposed sides of a cabinet to provide a good aesthetic finish. They are available for all base units, all 2 versions of wall units and larder units.

BASE UNIT

600 DEEP	650 DEEP	700 DEEP
EPBU	EPB65	EPB7



WALL UNIT

LOW WALL	MEDIUM WALL
NEPLW	NEPMW



LARDER UNIT

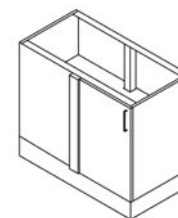
600mm DEEP	650mm DEEP	700mm DEEP
E6LMP	E65LMP	E7LMP

Corner Base Units

An under worktop cabinet designed to make use of the space beneath an L shaped corner. The cabinet is always 1000mm wide but can have either a 600mm, 500mm or 400mm door fitted to one side and a blanking panel to the other. It is available in 500mm deep as well as with or without a cam lock (lockable). Available in either FULL HEIGHT or DUMMY DRAWER LINE versions:

Full Height

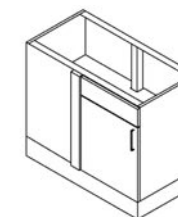
Fitted with a full height door only.



500mm DEEP	400 DOOR	500 DOOR	600 DOOR
L/H DOOR (NOT LOCKABLE)	CF4XAL	CF5XAL	CF6XAL
R/H DOOR (NOT LOCKABLE)	CF4XAR	CF5XAR	CF6XAR
L/H LOCKABLE	CF4XALKM145	CF5XALKM145	CF6XALKM145
R/H LOCKABLE	CF4XARKM145	CF5XARKM145	CF6XARKM145

Dummy Drawer Line

Fitted with a dummy drawer panel to top and a 3/4 door below.



500mm DEEP	400 DOOR	500 DOOR	600 DOOR
L/H DOOR (NOT LOCKABLE)	CF4XDL	CF5XDL	CF6XDL
R/H DOOR (NOT LOCKABLE)	CF4XDR	CF5XDR	CF6XDR
L/H LOCKABLE	CF4XDLKM145	CF5XDLKM145	CF6XDLKM145
R/H LOCKABLE	CF4XDRKM145	CF5XDRKM145	CF6XDRKM145

Storage Larder

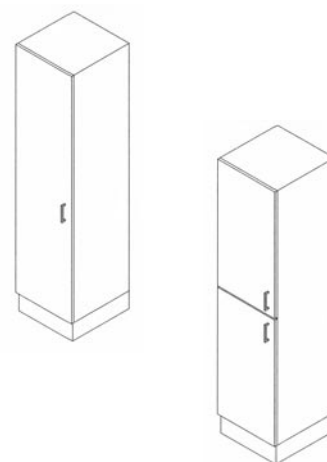
A floor standing unit. Available with either a single door or '50/50' doors. Available in either 500mm or 600mm wide options. Both are 500mm deep x 2075mm high. Available with or without a cam lock (lockable).

SINGLE DOOR

	500mm	600mm
L/H DOOR (NOT LOCKABLE)	LF5XVL	LF6XVL
R/H DOOR (NOT LOCKABLE)	LF5XVR	LF6XVR
L/H LOCKABLE	LF5XVLKM145	LF6XVLKM145
R/H LOCKABLE	LF5XVRKM145	LF6XVRKM145

DOUBLE DOOR

	500mm	600mm
L/H DOOR (NOT LOCKABLE)	LF5XCL	LF6XCL
R/H DOOR (NOT LOCKABLE)	LF5XCR	LF6XCR
L/H LOCKABLE	LF5XCLKM145	LF6XCLKM145
R/H LOCKABLE	LF5XCRKM145	LF6XCRKM145



Broom Store Larder

A floor standing unit for the storage of long handled cleaning utensils. It has no internal shelves supplied as standard (though adjustable shelves can be purchased as extra's). Available in either 500mm or 600mm wide options. Both are 500mm deep x 2075mm high. Available with or without a cam lock (lockable).

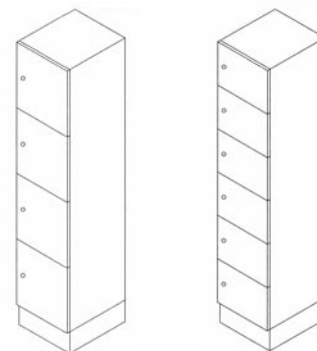
	500mm	600mm
L/H DOOR (NOT LOCKABLE)	LF5XBML	LF6XBML
R/H DOOR (NOT LOCKABLE)	LF5XBMR	LF6XBMR
L/H LOCKABLE	LF5XBMLKM145	LF6XBMLKM145
R/H LOCKABLE	LF5XBMRKM145	LF6XBMRKM145



Larder Lockers

A floor standing unit designed to provide small individual locked space for users. Doors supplied with no handles, opening operated by the supplied cam lock and key. Available in either 6 door or 4 door versions. 400mm wide x 1950mm high x 460mm deep.

4 DOOR	6 DOOR
LOCKER 4	LOCKER 6



Oven Housing Larder

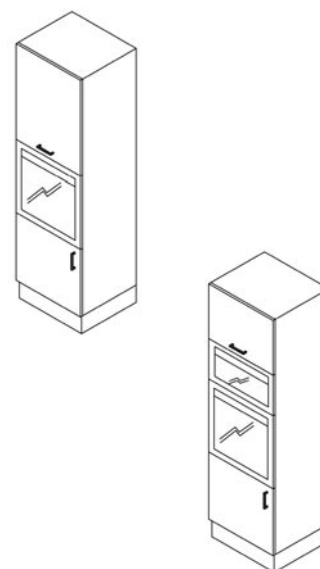
A floor standing unit designed to house either a single or double built-in oven. It always has a 3/4 door to the bottom, then the oven and a door above the oven. 600mm wide x 600mm deep x 2075mm high. The bottom door only has the option of being fitted with a cam lock (lockable).

SINGLE OVEN

600mm DEEP	600mm
L/H DOOR (NOT LOCKABLE)	LU6MSL
R/H DOOR (NOT LOCKABLE)	LU6MSR
R/H DOOR (NOT LOCKABLE)	LU6MSLKM145
R/H DOOR (NOT LOCKABLE)	LU6MSRKM145

DOUBLE OVEN

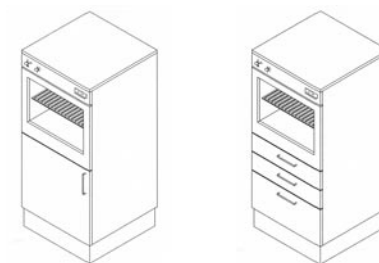
600mm DEEP	600mm
L/H DOOR (NOT LOCKABLE)	LU6MDL
R/H DOOR (NOT LOCKABLE)	LU6MDR
L/H LOCKABLE	LU6MDLKM145
R/H LOCKABLE	LU6MDRKM145



DDA Larder

A floor standing unit designed to house a single oven at the correct height for wheel chair users. 1360mm high (including a 20mm worktop lid). Available with either a lower door or drawers. Recommended to be used with a lid to match worktops.

	DOOR	DRAWERS
L/H DOOR (NOT LOCKABLE)	LD6SOL	-
R/H DOOR (NOT LOCKABLE)	LD6SOR	-
R/H DOOR (LOCKABLE)	LD6SOLKM145	-
R/H DOOR (LOCKABLE)	LD6SORKM145	-
NOT LOCKABLE	-	LD6SO3
LOCKABLE	-	LD6SO3KM145



Plinth

A choice of either extruded or laminate kickboard / plinth.

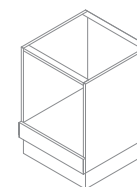
	CODE
EXTRUDED PLINTH	PL24E
EXT CORNER	PLEC
INT CORNER	PLIC
STRAIGHT COVER	PLCP
LAMINATE PLINTH	PL24P



Oven Base Unit

An under worktop cabinet designed to house a built-in single oven. 600mm wide x 600mm deep.

CODE
OB6X

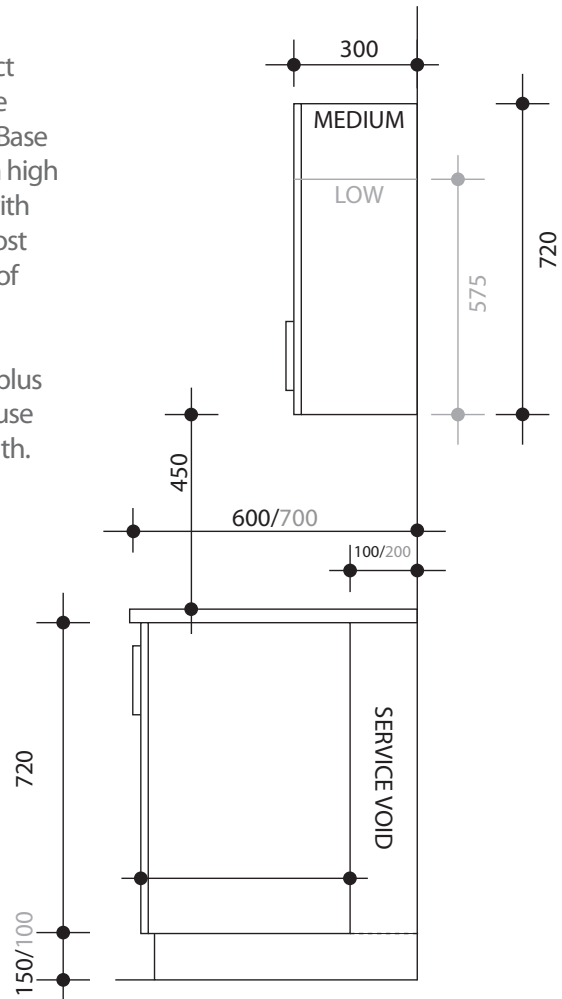


Cabinet Dimensions/Height Options

The attached drawing shows the main important product dimensions. However as well as our standard height base cabinets we also offer two semi-standard options called Base Low (575mm high excluding plinth) & Base Tiny (475mm high excluding plinth). Combine these three height choices with the two plinth height options we offer along with the most common worktop profiles you can specify a wide range of working heights.

On top of that, the cabinets legs have minus 10mm and plus 40mm adjustment so if another height is required then use this adjustment along with a special height laminate plinth.

For assistance on working heights please contact our design and consult team (see page 107)



Need a Quick Delivery?

If you are facing a tight deadline and time is against you then we can help. All products marked with the Quicker logo are more readily available if chosen with a Flash (68) white door.



DEPARTMENTS :

Sales:

sales@steelplan.com

Estimating:

autocad@steelplan.com

Customer Services:

support@steelplan.com

T: 0844 809 9186

F: 020 8641 5026

www.steelplan.com



STEELPLAN KITCHENS