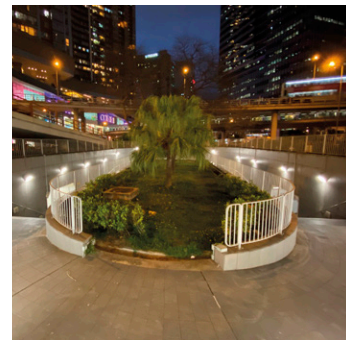


ENDURANCE 
BY AETHER LIGHTING

Experts in Subway & Bridge Lighting

With more than 20 years of successful design, manufacture & supply of vandal & weather resistant lighting, we are ideally suited to provide the best solution to the challenges posed when lighting subways, bridges & associated walkway areas.



Subways, bridges & associated areas

It is because we have so many years of successful design, manufacture & supply of fittings specifically targeted to solve the particular requirements of lighting these areas, that we have the widest range of equipment.

Over the years all possible specifications have been met and because we know that if one customer has an unusual or particular need others are likely to have similar requirements.

The list of special requirements is long and grows every year, so be assured that whatever you might require we either already have the answer or if not will certainly be able to provide the answer for you.

We list here some examples of common and less common requirements that we have designed and manufactured solutions for:

- Bespoke design to accommodate CMS such as Urban Control & Mayflower
- Anti-graffiti coatings for diffusers
- Infill dummy bodies between fittings
- Flame-proof diffusers
- “Ski slope” on top of fittings to prevent unauthorised use as step on bridges or pigeons landing
- Spacings fixed to back of units where excessive water conditions exist
- Brackets for mounting to railings
- Dual & Separate Circuit wiring
- Where speedy installation is essential or where access is restricted fittings can be provided with flying leads & brackets to enable fixing & wiring without the need to open them
- The design & manufacture of replacement gear trays to achieve the upgrade of old inefficient lighting installations to energy saving LED lighting
- Replacement Frames & Diffusers
- Downlight with RGB uplight
- Corner Fillets
- Emergency Lighting
- Lighting Control Dali & Switch Dim



ENDURANCE

BY AETHER LIGHTING



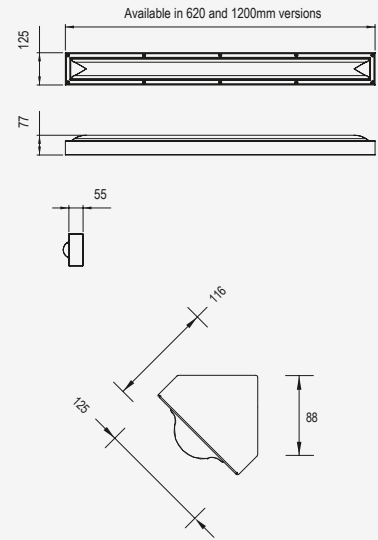
TABOR

Linear & Angle Mount

IP65 | IK18

Super-slim, designed for installations where severe or prolonged attack may occur. Strong & durable LED linear luminaire. 3mm Clear or Opal patterned polycarbonate flat panel diffuser 620mm to 1200mm lengths.

18w to 48w versions offering 2250 to 8000 lumen output.



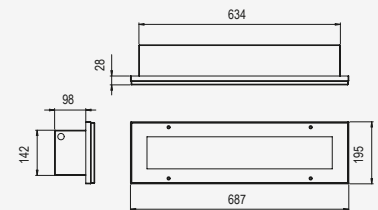
VARBERG

Recessed LED Unit

IP65 | IK18

Recessed linear fitting, unique upstand recessing flange, suitable for new installations or retrofitting into existing cavities when Bergo, Bergen or Victor have been removed. 3mm Clear or Opal patterned polycarbonate flat panel diffuser secured by anti-tamper fixings.

Versions offering 2250 to 4900 lumen output available.



RETRO-FIT

BY AETHER LIGHTING



We also design & manufacture replacement gear trays to enable the successful upgrade of old inefficient lighting installations, transforming them into long-lasting energy saving L.E.D maintenance free, well lit areas.

We are able to produce high quality Led gear trays for all makes & manufacturers in any quantity from 1 to 100,000 and will be delighted to assist you in identifying your stocks & requirements.

Replacement frames & diffuser service also available.



Other publications available on our website or in hard copy upon request

LIGHTING FOR RAILWAY INFRASTRUCTURE

A guide to assist the choice of lighting ideal for railway use.

PRISON LIGHTING

A guide to assist the choice of lighting ideal for prison installation.

RETRO-FIT 
BY AETHER LIGHTING

A comprehensive range of high quality, low cost low maintenance retro-fit gear trays for all makes & manufacturers.

ENDURANCE 
BY AETHER LIGHTING

Vandal & weather resistant lighting.

AETHER 

T: 020 8254 0094 | **E:** SALES@AETHERLIGHTING.COM
A: NORDIC HOUSE, 67 SOUTH STREET, EPSOM, SURREY KT18 7PY

www.aetherlighting.com